

# TS003 SERIES

LED TOUCH SENSOR SWITCH



### Feature -


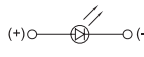
- panel mount
- moisture and dust proof
- bi-color led illuminated

### Application -

- home appliances
- kitchen appliances
- communication equipments
- vending machines and switches
- used in polluted environment

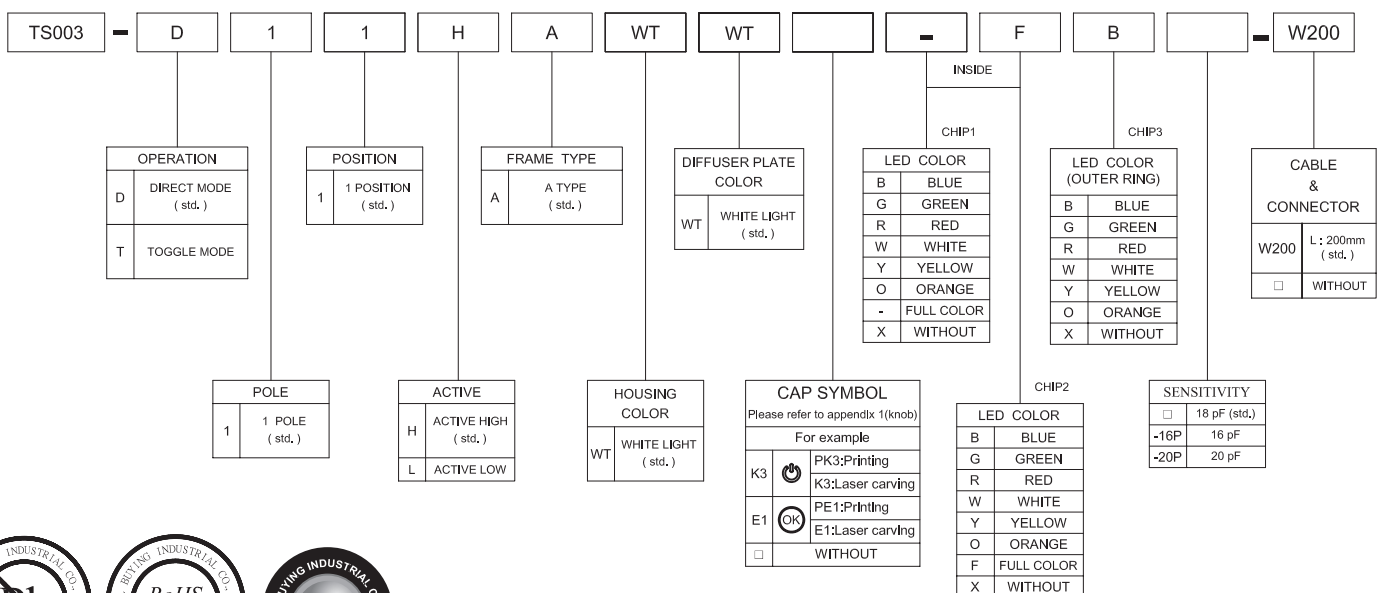
## ► SPECIFICATIONS

SWITCH SPECIFICATIONS						
POLE - POSITION		One-Channel				
CIRCUIT FEATURE		Capacitive analog signal				
OPERATING TEMPERATURE RANGE		-20°C ~ 70°C				
ELECTRICAL CHARACTERISTICS						
Symbol	Parameter	Conditions	MIN.	TYP.	MAX.	Units
V <sub>CC</sub>	Operating voltage		2.0	3.0	5.5	V
F	System oscillator	V <sub>CC</sub> =3V		16		KHz
F <sub>SEN</sub>	Sensor oscillator	V <sub>CC</sub> =3V, Output no load		1M		Hz
V <sub>IH</sub>	Input ports	V <sub>CC</sub> =3V, Output no load		1.5	3.0	μA
V <sub>IL</sub>	Input ports	Input low voltage	0		0.2	V
I <sub>OP</sub>	Operating current	Input high voltage	0.8		1.0	V
I <sub>OL</sub>	Output port sink current	V <sub>CC</sub> =3V, VOL=0.6V		8		mA
I <sub>OH</sub>	Output port source current	V <sub>CC</sub> =3V, VOH=2.4V		-4		mA
T <sub>R</sub>	Output response time	V <sub>CC</sub> =3V			220	mS
R <sub>PH</sub>	Input pin pull-high resistor	V <sub>CC</sub> =3V		35K		Ω
R <sub>PL</sub>	Input pin pull-low resistor	V <sub>CC</sub> =3V		28K		Ω

LED SPECIFICATIONS					
 ATTENTION LEDs are Electrostatic Sensitive devices	 (+) ○ — ⊕ — ○ (-)	Unit	Value / LED Color		
			Ultra Green	Ultra Yellow	Ultra Red
FORWARD CURRENT	I <sub>f</sub>	mA	20	20	20
REVERSE VOLTAGE	V <sub>r</sub>	V	5.0	5.0	5.0
REVERSE CURRENT	I <sub>r</sub>	μA	10	10	10
FORWARD VOLTAGE@20mA	V <sub>f</sub>	V	2.1-2.5	2.0-2.5	2.0-2.5
LUMINOUS INTENSITY@20mA	I <sub>v</sub>	mcd	60	120	150

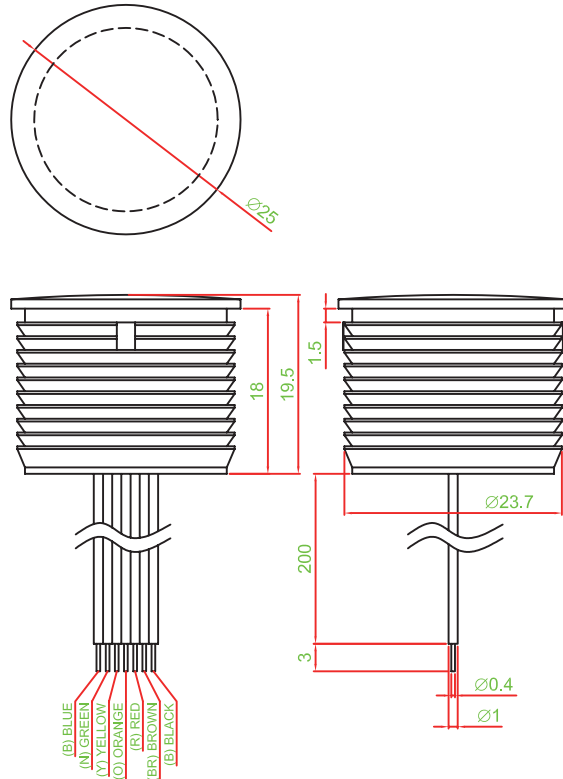
■ Physical and electrical information of LED will be provided upon customer's request on switches.

## ► HOW TO ORDER

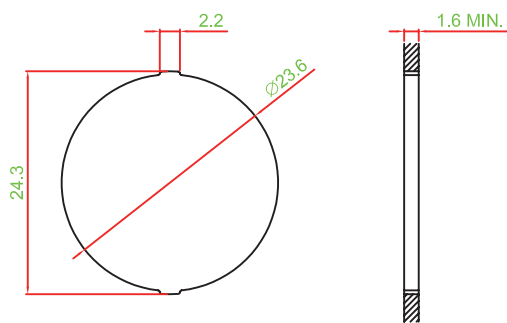


**► DIMENSION & FRAME TYPE**

TS003 - D11HAWTK□□□□-W200

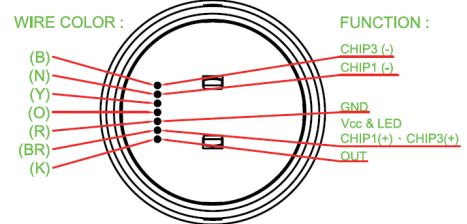


**► PANEL CUT OUT**

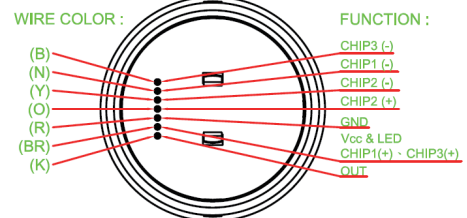


**► SCHEMATIC**

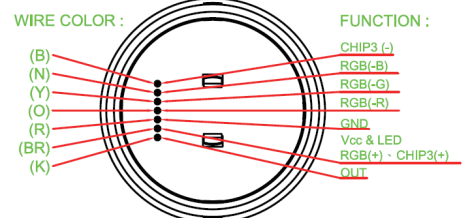
**SINGLE COLOR**



**TWO COLOR**



**FULL COLOR**



**► MATERIAL**

- COVER : PC
- ACTUATOR : POM
- BASE FRAME : PA + GF
- TERMINAL : PHOSPHOR BRONZE SILVER PLATING
- SPRING : PHOSPHOR BRONZE SILVER PLATING

